

BUILDING AND CODE INFORMATION:

1. PROPOSED USE: S-1, WAREHOUSE/ B, BUSINESS
2. CODE USED: 2015 IBC
3. CONSTRUCTION TYPE: VB
4. SPRINKLERS: NOT REQUIRED
5. STANPIPES: NO
6. FIRE DISTRICT: NO
7. FLOOD HAZARD AREA: NO
8. BUILDING HEIGHT: 10'-0" FEET (EAVE) STORIES = 1
9. GROSS BUILDING AREA: FIRE AREA 1 = 7,920 SQ.FT.
FIRE AREA 2 = 7,920 SQ.FT.
WAREHOUSE = 1042 / 600 = 2
OFFICE = 143 / 100 = 1
EA UNIT = 3 OCCUPANTS
11. INCIDENTAL USE SEPARATION: NONE
12. SPECIAL USES: NONE
13. SPECIAL PROVISIONS: NONE
14. ALLOWABLE HEIGHT: 1 STORY
15. ALLOWABLE AREA: 9,000 SQUARE FEET
16. FIRE PROTECTION REQUIREMENTS: NONE

LIFE SAFETY SYSTEM REQUIREMENTS:

2. EMERGENCY LIGHTING: YES
3. ILLUMINATED EXIT SIGNS: YES
4. FIRE ALARM: NO
6. SMOKE DETECTION SYSTEMS: NO
6. PANIC HARDWARE: NO

NUMBER AND ARRANGEMENT OF EXITS:

1. MINIMUM NUMBER OF EXITS REQUIRED: 2 (PER UNIT)
2. NUMBER OF EXITS PROVIDED: 2 (PER UNIT)
3. WORST CASE TRAVEL DISTANCE: 44'-3"
4. ALLOWABLE TRAVEL DISTANCE: 200' (WITHOUT SPRINKLER SYSTEM)
5. ACTUAL DISTANCE BETWEEN EXIT DOORS: 65'-3"
6. MINIMUM REQUIRED DISTANCE BETWEEN EXIT DOORS: 34'-0"
7. ARRANGEMENT OF MEANS OF EGRESS IS IN ACCORDANCE WITH SECTION 1010
8. CORRIDOR DEAD ENDS: NONE
9. COMMON PATH OF TRAVEL IS IN ACCORDANCE WITH SECTION 1008

ILLUMINATED EXIT SIGNS:

1. IN ACCORDANCE WITH 2015 IBC SECTION 1008.1, THE MEANS OF EGRESS, INCLUDING THE EXIT DISCHARGE, SHALL BE ILLUMINATED AT ALL TIMES THE BUILDING IS OCCUPIED BY AMBIENT LIGHT FROM OPEN GARAGE DOORS.

NON-ILLUMINATED EXIT SIGNS:

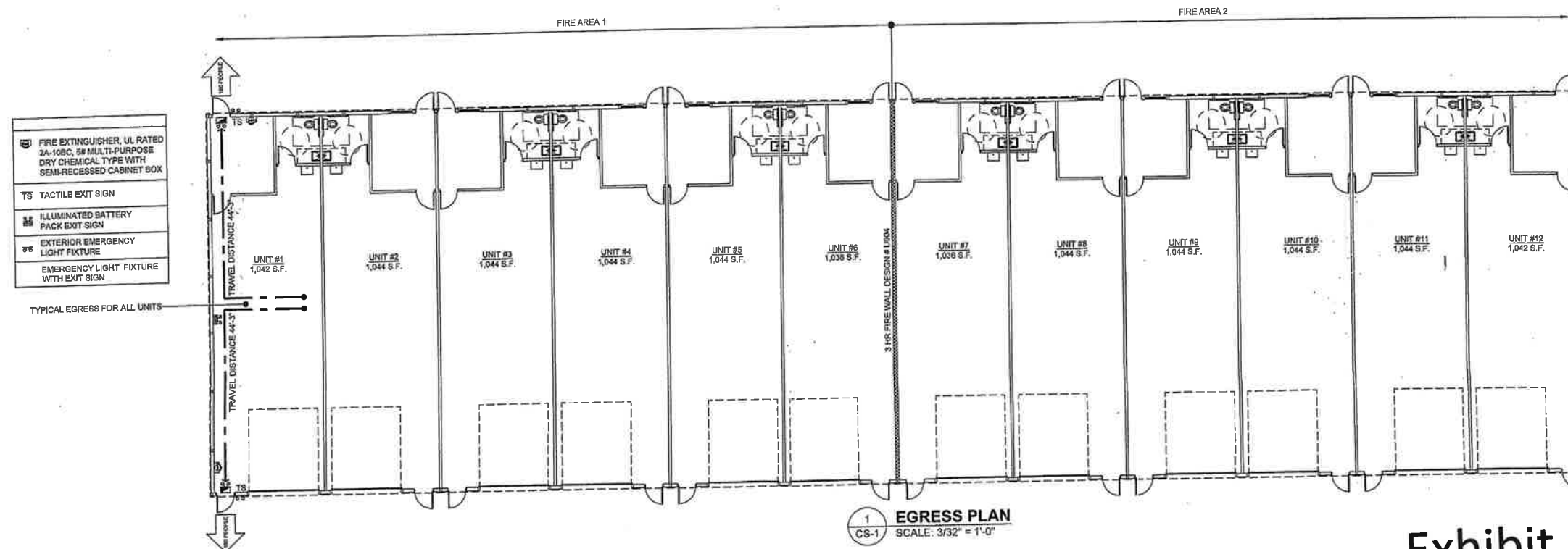
1. TACTILE EXIT SIGNS COMPLYING WITH ICC A117.1 SHALL BE PROVIDED ADJACENT TO EACH DOOR AS REQUIRED BY SECTION 1013.4. EVERY EXIT SIGN AND DIRECTIONAL EXIT SIGN SHALL HAVE PLAINLY LEGIBLE LETTERS NOT LESS THAN 2 INCHES HIGH. THE WORD "EXIT" SHALL BE IN HIGH CONTRAST WITH THE BACKGROUND.

PANIC HARDWARE:

1. THE PANIC AND FIRE EXIT HARDWARE SHALL COMPLY WITH 2015 IBC 1010.1.10. ONLY SIDE-HINGED SWINGING DOORS QUALIFY AS EGRESS DOORS. EXIT SIGNS SHALL NOT BE PLACED AT THE OVERHEAD GARAGE DOORS.

FIRE EXTINGUISHERS:

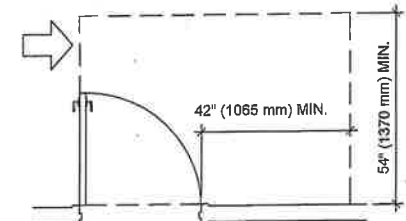
1. PORTABLE FIRE EXTINGUISHERS SHALL BE SPACED EVERY 75 FEET, AND AT THE HEIGHT REQUIRED SO THAT THE TOP OF THE FIRE EXTINGUISHER IS NOT MORE THAN 48 INCHES ABOVE THE FLOOR. BOTTOM OF FIRE EXTINGUISHER SHALL BE NO HIGHER THE 27" AFF. FIRE EXTINGUISHERS SHALL BE 5 LB DRY CHEMICAL, WITH MULTI-CLASS RATING A, B, AND C.



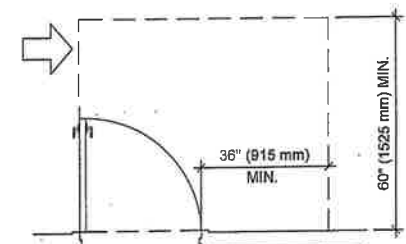
1 EGRESS PLAN
CS-1 SCALE: 3/32" = 1'-0"

Exhibit A4
4/22/2021

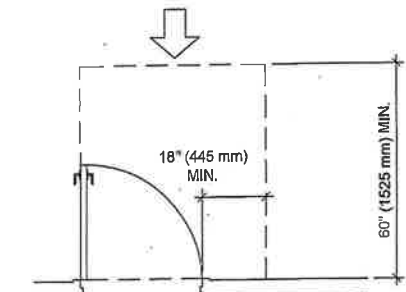
ENGINEER:	James A. Koppenhaver, P.E. 575 Van Reed Road Wyomissing, PA 19610 484-794-9949 koppenhaverpe@gmail.com
INSTALLER:	Wood Originals, Inc. 5336 Four Point RD. Bethel, PA 19607 717-933-5307
DATE	
REVISION	
NO.	
PROPOSED POLE BUILDING FOR	141 ROUTE 539 WHITTING, NEW JERSEY 08579
DATE ISSUED:	5-25-2018
DESIGNED BY:	JAK
DRAWN BY:	JAK
DRAWING TITLE:	BUILDING DESIGN CODE SUMMARY
DRAWING NUMBER:	CS-1



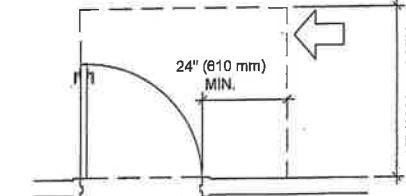
HINGE APPROACH, PULL SIDE



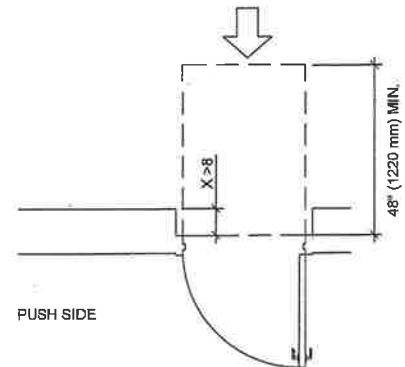
HINGE APPROACH, PULL SIDE (W CLOSER)



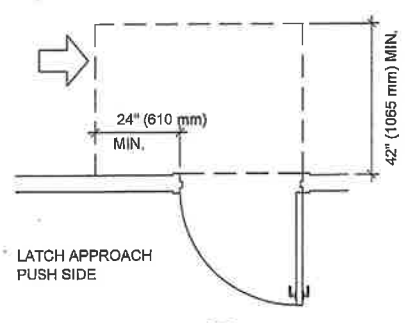
FRONT APPROACH, PULL SIDE



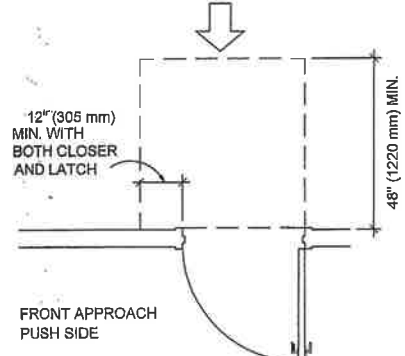
LATCH APPROACH, PULL SIDE



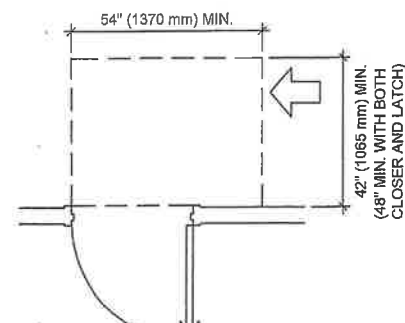
PUSH SIDE



LATCH APPROACH PUSH SIDE

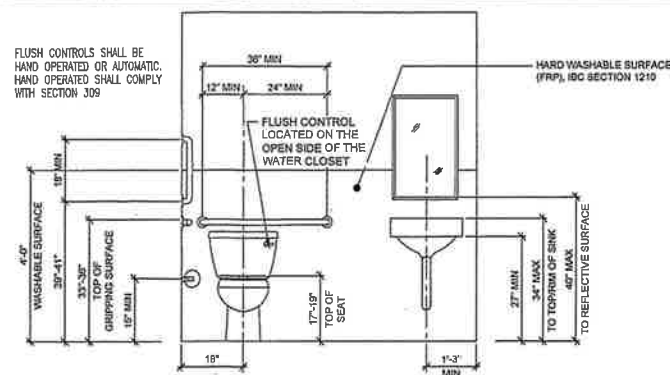


FRONT APPROACH PUSH SIDE

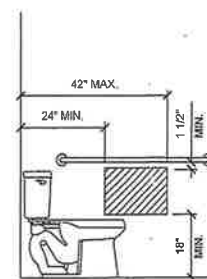


HINGE APPROACH PUSH SIDE

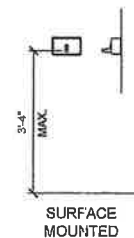
MINIMUM DOOR APPROACH CLEARANCES
SCALE: N.T.S



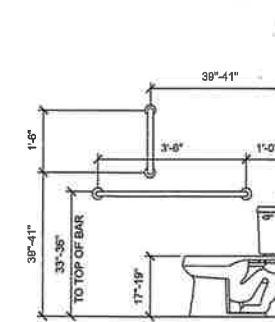
STANDARD SINGLE-USER TOILET
SCALE: 1/2" = 1'-0"



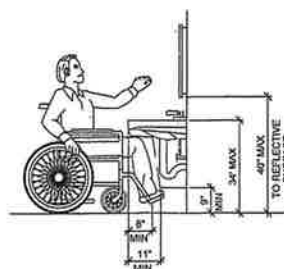
TOILET PAPER HOLDER
SCALE: 1/2" = 1'-0"



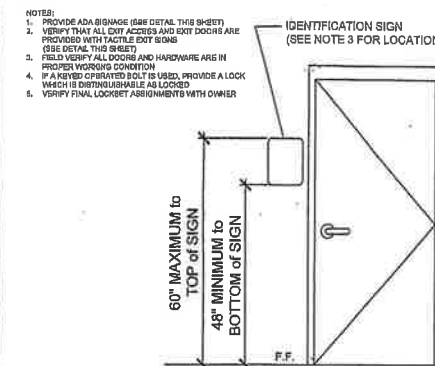
SOAP DISPENSER
SCALE: 1/2" = 1'-0"



WATER CLOSET & GRAB BARS
SCALE: 1/2" = 1'-0"



LAVATORY CLEARANCE DETAIL
SCALE: 1/2" = 1'-0"



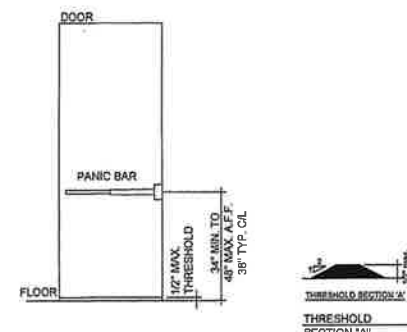
IDENTIFICATION SIGNAGE
SCALE: N.T.S

IDENTIFICATION SIGNS
PROVIDE TACTILE SIGNS FOR ALL EGRESS EXITS AND HANDICAP ACCESSIBLE RESTROOMS.

1. CHARACTERS AND IDENTIFICATION SYMBOLS ARE TO BE DISTINCTLY DIFFERENT FROM THE BACKGROUND IN COLOR AND CONTRAST.

2. LETTERS AND NUMBERS ON SIGNS SHALL BE RAISED 5/8" MIN. SHALL BE A MIN. OF 3/4" HIGH AND MAX. OF 2" HIGH. CHARACTERS SHALL BE UPPERCASE AND SANS-SERIF ACCOMPANIED BY GRADE 2 BRAILLE.

3. PROVIDE IDENTIFICATION SIGN ON WALL TO LATCH SIDE OF DOOR. WHERE SIGNS ARE PROVIDED AT DOUBLE DOORS, THE SIGN SHALL BE TO THE RIGHT OF THE RIGHT HAND DOOR. WHERE NO WALL SPACE IS AVAILABLE SIGNS SHALL BE ON THE NEAREST ADJACENT WALL.



HANDICAP DOOR HARDWARE
SCALE: N.T.S

4.13.8 DOOR HARDWARE, HANDLE, PULL, LATCHES, LOCKS AND OTHER OPERATING DEVICES ON ACCESSIBLE DOORS SHALL HAVE A SHAPE THAT IS EASY TO GRASP WITH ONE HAND AND DOES NOT REQUIRE FINGER GRASPING, FINE FINGERING, OR TWISTING OF THE WRIST TO OPERATE. THEY SHALL BE MOUNTED WITHIN REACH RANGES SPECIFIED IN 4.13.8.1 AND 4.13.8.2. LEVER OPERATED MECHANICAL PUSH-TYPE MECHANISMS, AND U-SHAPED HANDLES ARE ACCEPTABLE DEVICES.

4.13.9 DOOR CLOSERS: IF A DOOR HAS A CLOSER, THEN THE SWEEP PORTION OF THE CLOSER SHALL BE ADJUSTED SO THAT FROM AN OPEN POSITION OF 90 DEGREES, THE DOOR WILL TAKE AT LEAST 3 SECONDS TO MOVE TO AN OPEN POSITION OF APPROXIMATELY 15 DEGREES.

4.13.11 DOOR OPENING FORCE: THE MAXIMUM FORCE, EXPRESSED IN POUND FORCE (LBS) AND NEWTONS (N), FOR PUSHING OR PULLING OPEN A DOOR SHALL BE AS FOLLOWS:

1. FIRE DOORS SHALL HAVE THE MAXIMUM OPENING FORCE PERMISSIBLE BY THE APPROPRIATE ADMINISTRATIVE AUTHORITY.

2. OTHER DOORS:

A. EXTERIOR HINGED DOORS: 8.8 LB (39.5 N)

B. INTERIOR HINGED DOORS: 5.0 LB (22.2 N)

C. SLIDING OR FOLDING DOORS: 5.0 LB (22.2 N)

THE FORCES DO NOT APPLY TO THE FORCE REQUIRED TO RETRACT LATCH BOLTS OR SPRING-LOADED DEVICES THAT MAY HOLD THE DOOR IN A CLOSED POSITION.



U-SHAPED HANDLE
PLAN "B"

ENGINEER:
James A. Koppenhaver, P.E.
575 Van Reed Road
Wyalaming, PA 19610
484-794-9949
koppenhaverpe@gmail.com

INSTALLER:
Wood Originals, Inc.
6336 Four Point Rd.
Bethel, PA 19507
717-653-5307

DATE

REVISION

NO.

PROPOSED POLE BUILDING FOR

141 ROUTE 539
WHITING, NEW JERSEY 08579

DATE ISSUED:
5-25-2018

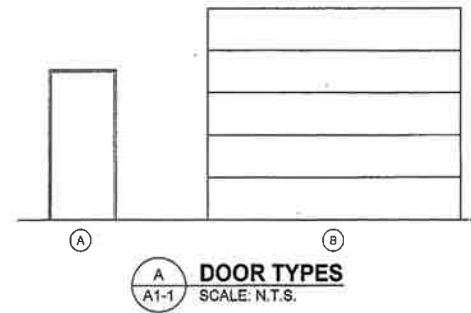
DESIGNED BY:
JAK

DRAWN BY:
JAK

DRAWING TITLE:
BUILDING DESIGN
ADA DETAILS

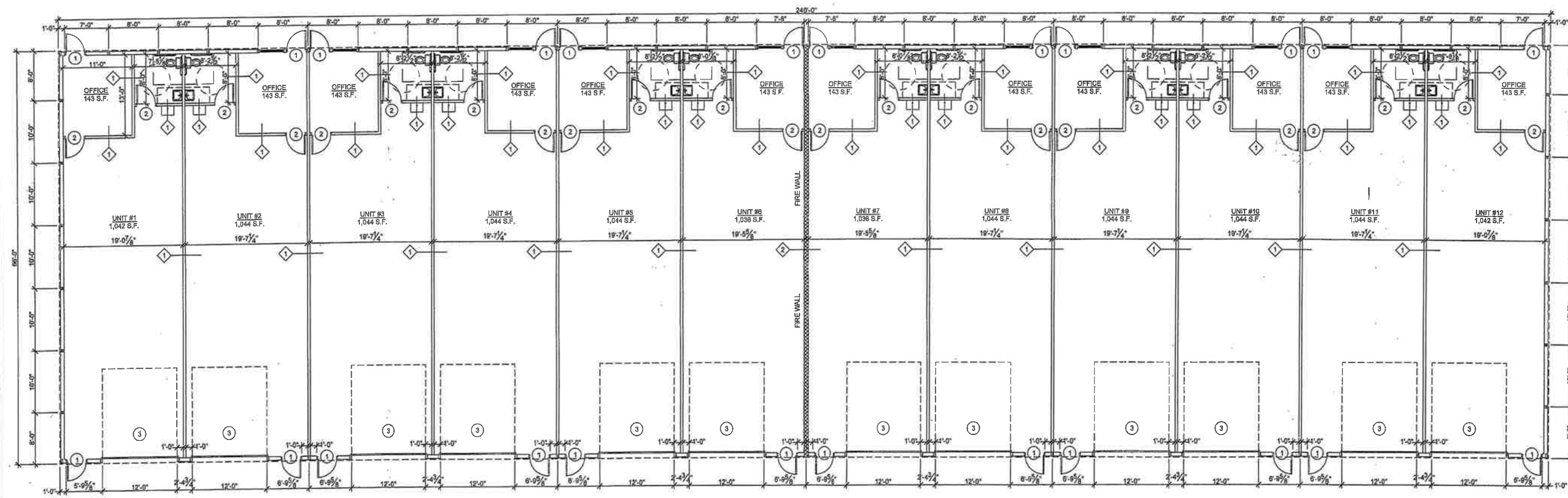
DRAWING NUMBER:
CS-2

DOOR SCHEDULE										
DOOR #	QUANTITY	SIZE			MATERIAL			ABBREVIATIONS / REMARKS		
		WIDTH	HEIGHT	THICKNESS	DOOR TYPE	FRAME	GLASS	FINISH	HARDWARE	FIRE RATING
1	1	3'-0"	6'-8"	1 1/2"	A	ST	-	F/P	1	-
2	1	3'-0"	6'-8"	1 1/2"	A	ST	-	F/P	2	-
3	2	12'-0"	14'-0"	1 1/2"	B	ST	-	MFG	-	-



- DOOR HARDWARE:**
GENERAL DESCRIPTION
- LEVER LOCK SET
CLOSER
WEATHER STRIPPING
(3) HINGES
 - LEVER PASSAGE SET
CLOSER
(3) HINGES

- WALL TYPES:**
- 2X4 WOOD STUDS @ 1'-4" OC
1/2" GNB ON BOTH SIDES
ACTUAL WALL THICKNESS: 4 3/4"
 - 8" CMU WALL
3 HR FIRE WALL
DESIGN # UB04



1 FLOOR PLAN
SCALE: 1/8" = 1'-0"

ENGINEER:
James A. Koppenhaver, P.E.
575 Van Reed Road
Wyomissing, PA 19610
484-794-9949
koppenhaverjpc@gmail.com

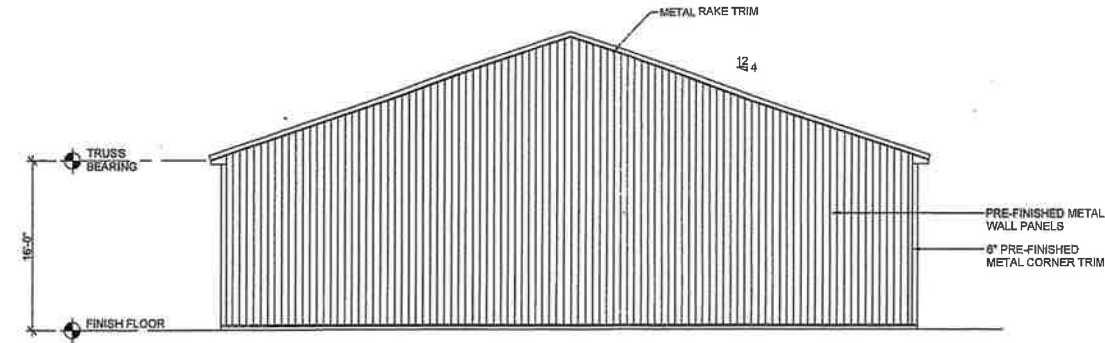
INSTALLER:
Wood Originals, Inc.
6338 Four Point RD.
Belthel, PA 19507
717-833-5307

NO.	REVISION	DATE

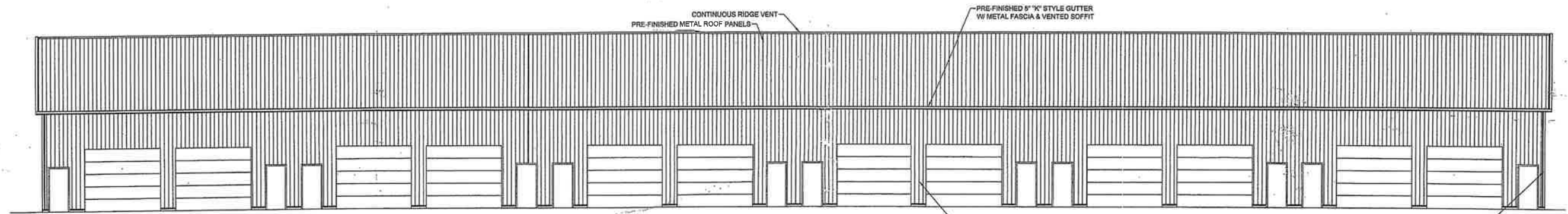
PROPOSED POLE BUILDING
FOR
141 ROUTE 539
WHITING, NEW JERSEY 08779

DATE ISSUED:
5-25-2018
DESIGNED BY:
JAK
DRAWN BY:
JAK
DRAWING TITLE:
BUILDING DESIGN
FLOOR PLAN
DRAWING NUMBER:

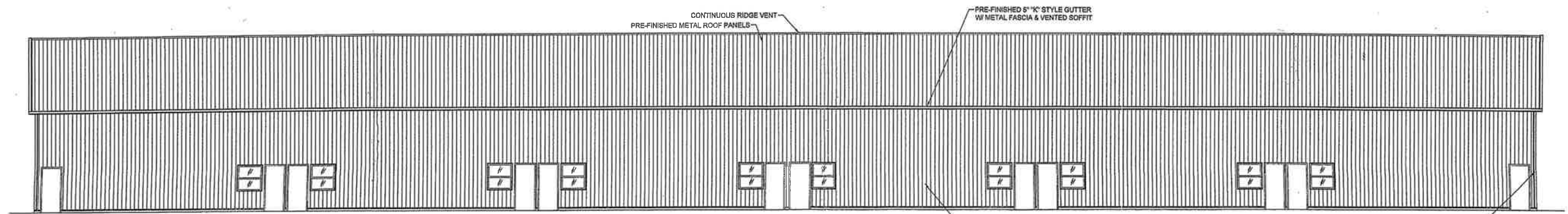
A1-1



1 GABLE ENDS ELEVATION
A2-1 SCALE: 1/8" = 1'-0"



2 EXTERIOR ELEVATION
A2-1 SCALE: 1/8" = 1'-0"



3 EXTERIOR ELEVATION
A2-1 SCALE: 1/8" = 1'-0"

ENGINEER:
James A. Koppenhaver, P.E.
575 Van Reed Road
Wyomissing, PA 19610
484-794-9949
koppenhaverpe@gmail.com

INSTALLER:
Wood Originals, Inc.
5336 Four Point RD.
Bethel, PA 19507
717-933-4307

NO.	REVISION	DATE

PROPOSED POLE BUILDING
FOR
141 ROUTE 539
WHITING, NEW JERSEY 08579

DATE ISSUED:
5-25-2018
DESIGNED BY:
JAK
DRAWN BY:
JAK
DRAWING TITLE:
EXTERIOR
ELEVATIONS

DRAWING NUMBER:
A2-1